

BACKGROUND

Jamuna TV was originally set up by Benchmark Broadcast Systems in January 2009. The channel was conceived as a then state-of-the-art, 24/7 news facility with complete automation and a workflow which facilitated digitization of media content from different sources such as the studio, locations, tape content and so on. The digitized contents were stored in a Central Digital Storage System, edited and the finished packages were used in news broadcasts through a Playout Automation System using Video Servers.

In December 2013, Jamuna TV approached Benchmark for a complete expansion and upgradation of the existing system. Once again, the channel was to embrace the current (as well as near future) state-of-the art in technology, from ingest to editing, storage, automation, playout and transmission. Additionally, the channel was to have the capability to commence HD broadcast at short notice.

SOLUTION

Benchmark Broadcast Systems did an on-site study and recommended certain changes and streamlining in the workflows as well as the introduction of certain new systems, technologies and techniques that had made their appearance in the, virtually, five years since January 2009.

systems and workflows in the back-end of the channel's operations; upgrading of the Newsroom Computer System (NRCS), upgrading the MAM data storage to higher capacity, speed and additional metadata input parameters; upgrading the SNFS file system, installing video walls and, a live news gathering solution.

Among these were the introduction of complete HD-compatible

EXECUTION

Discussions on the workflows, systems to be installed and integrated, and time-schedules were held and finalised by December end; orders were placed and work commenced in mid-January 2014. The first dry run was held in mid-March followed by intensive training of the Chan-

nel's technical operators, and familiarising the various teams with the new workflows and systems.

The Channel went on-air on April 5, 2014.

IMPLEMENTATION

The Aveco MAM/Automation was reconfigured to manage/control new devices and the Media Management/transfer was modified as per the new specification. The software was upgraded to initiate the FTP from playout storage (Omneon/K2) to production storage (DDN) – while ingest is in progress. This resulted in much faster media movement with NLE users able to start editing even while ingest is in progress. The Aveco software was also upgraded to play an additional role – as a Rhozet Carbon Server – to handle the load balancing of Rhozet based transcoding. Moreover, the Aveco system has been configured to perform multiple media management/movement as part of the background process, so making the production and MCR workflows smooth and clean.

Additionally, Aveco also keeps extensive track of each media's movement – in various locations, such as production storage, playout storage, low-res storage, near-line/deep archive storage and so on – and purges the media automatically, based on the deletion rule.

The Octopus NRCS was upgraded to the latest version 7.0 and the MOS integration with Autoscript, Vizrt and Aveco was also done. Additionally, Octopus was integrated with Aveco using the WebformGUI for placeholder creation.

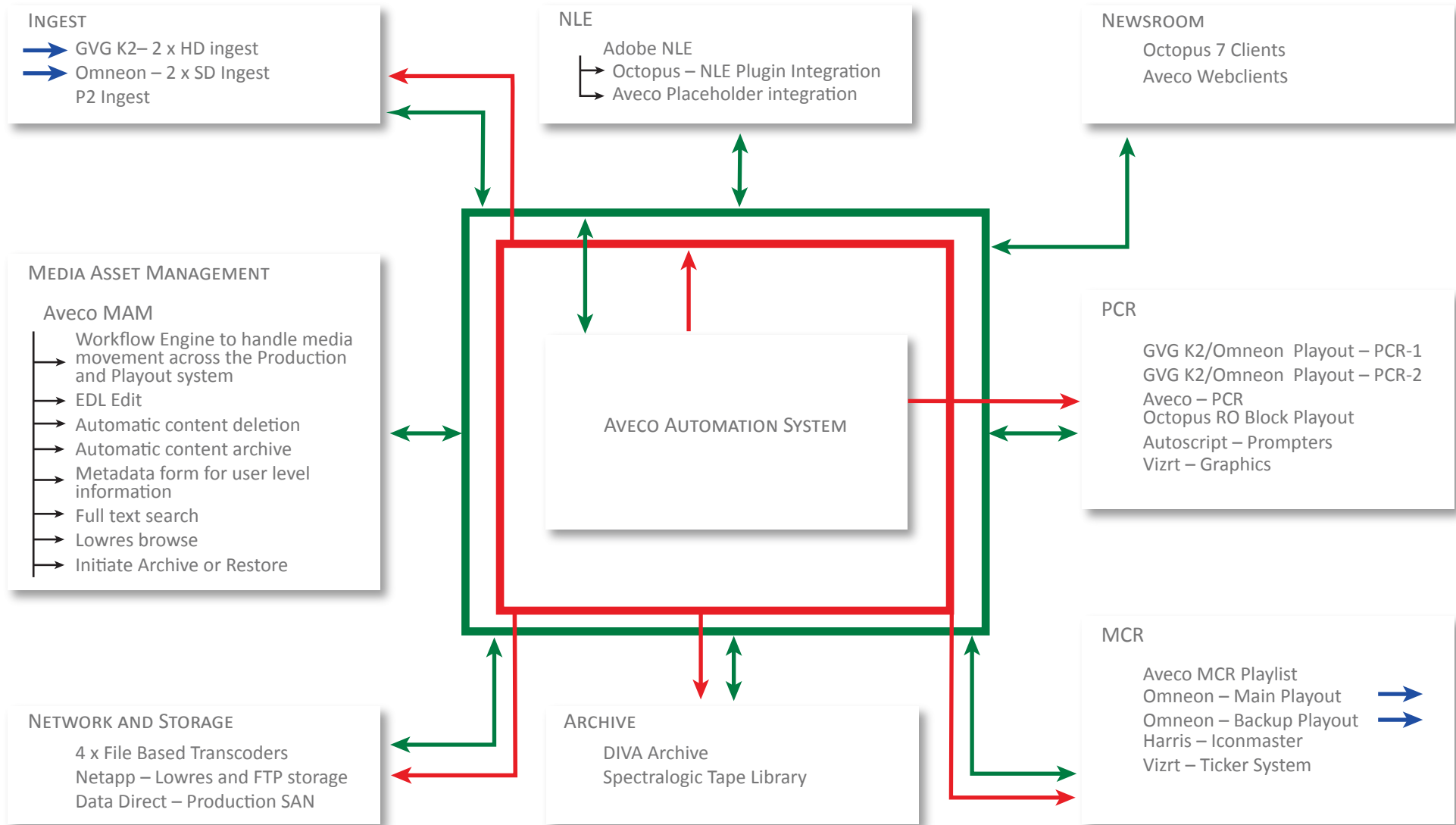
The DDN S2A controller was upgraded to S2A 9900, which can deliver more throughput than before.

SUMMARY

Jamuna TV is, today, a state-of-the-art facility broadcasting 24/7, with seamless integration of all its components and systems. Moreover, the back-end – tried and tested – is firmly in place for the day the Channel decides to start broadcasting HD.

The upgradation was effected smoothly and on schedule with all components interacting and performing as designed and as expected.

Jamuna TV – High Level Design



— SDI — Gigabyte Ethernet — Control Api — Others

ABOUT BENCHMARK

Benchmark Broadcast Systems, is a consultant and technology partner for media and broadcast companies in Asia. Headquartered in Singapore, the Company has offices in Bangkok, Chennai, Delhi, Dhaka, Kuala Lumpur and Manila. Its on-site engineering, software programming, software & systems integration, testing and support services are highly specialised. It operates in network mode with senior managers functioning out of Singapore, Chennai, Delhi and Manila.

Benchmark focuses on providing complete solutions for broadcast and post production applications. The spectrum starts from simple mod-

ules to complete turnkey systems integration services for setting up a totally new TV station or upgrading/modernising existing ones. The Company also provides a complete range of services from pre-sale consultancy, through to systems design and integration, installation, user training, support and even to managed services. Benchmark Broadcast's capabilities extend to configuration of comprehensive enterprise-wide solutions, application support, systems installation and customer training and, importantly, to development of customised solutions.

CONTACT

S Ramesh Babu

Chief Technology Officer

Mobile: +65 9151 4088

Email: rameshbabu.s@benchmarkbroadcast.com

When you absolutely, positively have to be on-air 24/7

BENCHMARK
BROADCAST SYSTEMS

Benchmark Broadcast Systems (S) Pte Ltd

(Company Registration Number: 200600781N)

12 Tannery Road #09-05/06/07 HB Centre I

Singapore 347722

Phone: +65 6749 3372 Fax: +65 6749 3326